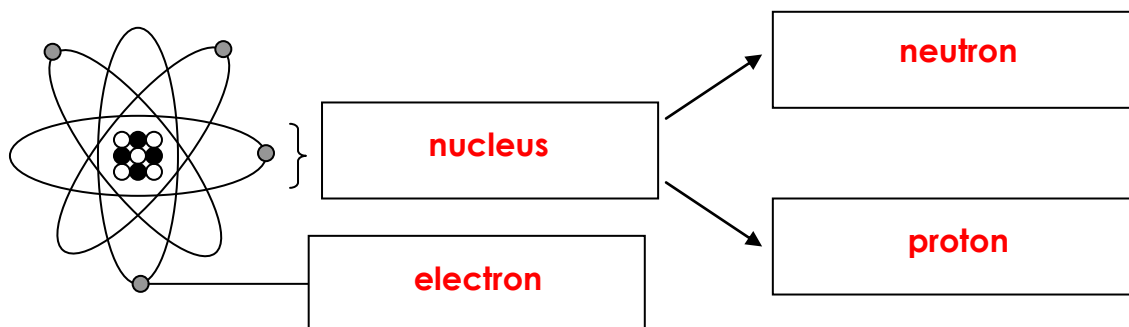


Suggested Answers on Note (Chapter 3) P.1



Suggested Answers on Note (Chapter 3) P.2

A sodium atom has **11** proton, **11** electron, **12** neutron.

Suggested Answers on Note (Chapter 3) P.3

Shell	Maximum number of electrons
First	$(n=1) : 2 \times (1)^2 = 2$
Second	$(n=2) : $ 8
Third	$(n=3) : $ 18
Fourth	$(n=4) : $ 32